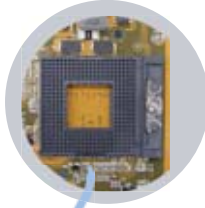


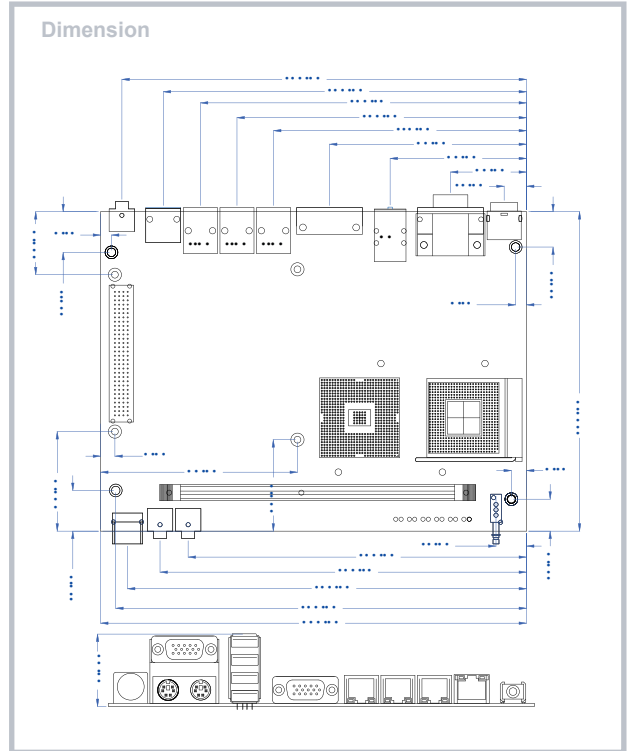
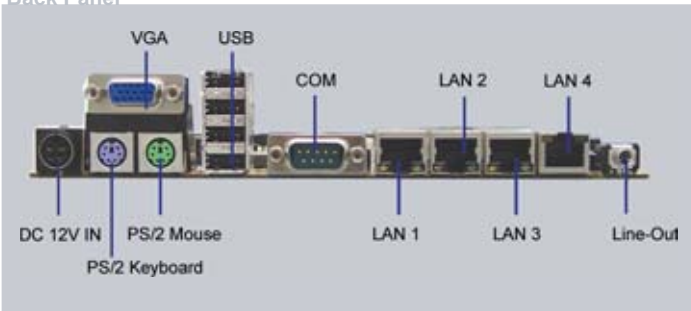


Socket Version



CI852A Series

Back Panel



Application Network Appliances for Firewall, VPN, and Server

Features Intel Pentium M/Celeron M solution
4 LAN
PCI 104 / Mini PCI
LVDS

Specifications

- . CPU type Intel Pentium M/ Celeron M- Dothan processor
- . Front Side Bus 400/533 MHz
- . MB Chipset Intel 82852GM/ 82852GME + ICH4
- . Graphics Integrated with Intel 82852GM/GME
Shared system memory up to 64MB
- . LVDS Supports data format of 18 bits/36 bits
- . Memory 1 x DDR SDRAM (max. 1GB)
- . IDE Ultra ATA 100/66/33, 1x 40 pin 2.54mm, 1x44 pin 2.0mm
Support Compact Flash card type II for ATA interface
- . Audio AC-Link for Audio CODEC, AC'97 2.1
- . LAN 4 x Realtek 10/100 Mbps (optional Realtek/Intel Gigabit)
- . IO function 1 x RS232
Supports IrDA 1.0/ASKIR protocol
Supports PS2 keyboard and mouse
- . USB 6 x USB 2.0
- . DIO & WDT Hardware digital Input & Output, 4xDI / 4xDO
(Option) Hardware Watch Dog Timer, 0~255 sec programmable
- . Expand interface 1 x Mini PCI for only PCI rev: 2.2 interface
1 x PCI 104 (Option)
- . Power On board DC +12V convert to +3.3V/+12V/+5V for system
- . Dimension 200 x 150 mm
- . Operation Temperature : 0 ~ 60°C
- . Operation Humidity : 5~95% @ 60°C, non-condensing

Ordering Information

- . CI852A-4RN10/4RNXX 4 LAN, Celeron-M 1GHz/ Socket 478
- . CI852A-4RP10/4RPXX 4 LAN, 1 PCI 104, Celeron-M 1GHz/ Socket 478

Testing environment

Model name : **CI852A-4RN10**
CPU : Intel Celeron M 1GHz
Chipset : Intel 82852GM and Intel 82801DB ICH
OS : WIN XP
Testing Program 3D Mark 2001 SE

Fanless solution with CF card

Chassis	Light	Neo	Twister	Tino
Temperature				
0°C	Pass	Pass	Pass	Pass
40°C	Pass	Pass	Pass	Pass
45°C	Pass	Pass	Pass	Pass
60°C	Pass	Pass	Pass	Pass

Fanless solution with 2.5" HDD

Chassis	Light	Neo	Twister	Tino
Temperature				
0°C	Pass	Pass	Pass	Pass
40°C	Pass	Pass	Pass	Pass
45°C	Pass	Pass	Pass	Pass

Model name : **CI852A-4RNXX**
CPU : Intel Pentium M 2.13GHz
Chipset : Intel 82852GME and Intel 82801DB ICH
OS : WIN XP
Testing Program 3D Mark 2001 SE

Fanless solution with CF card

Chassis	Twister	Tino
Temperature		
0°C	Pass	Pass
40°C	Pass	Pass
45°C	Pass	Pass
60°C	Pass	Pass

Fanless solution with 2.5" HDD

Chassis	Twister	Tino
Temperature		
0°C	Pass	Pass
40°C	Pass	Pass