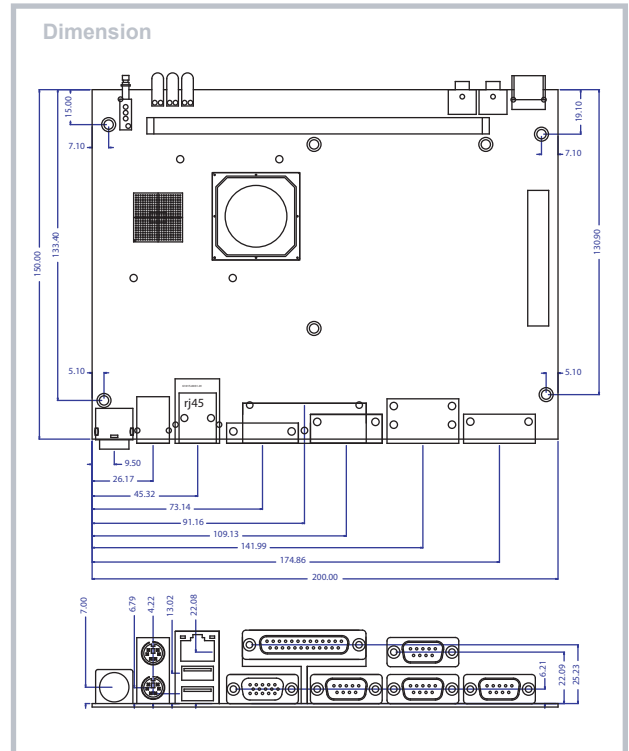
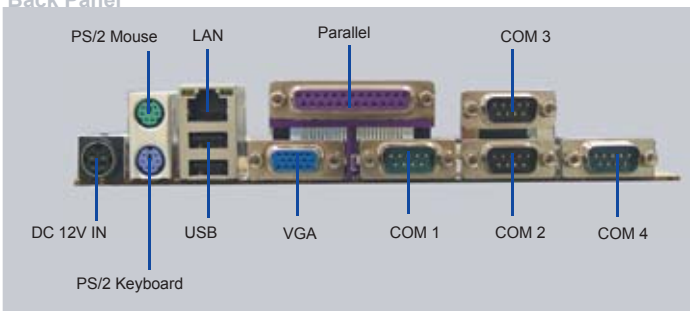




CV700C Series

Back Panel



Application POS/ KIOSK/ Industrial Control Solutions

Features VIA V4 bus processor Eden / C7
On board 4 COM
SATA

Specifications

- . CPU type VIA Eden(V4)/ C7 nano BGA2 400 pin, L1/L2 128K on die
- . Front Side Bus 400/533 MHz
- . MB Chipset VIA CN700 + VIA VT8237R Plus
- . Graphics Integrated with VIA CN700
Shared system memory up to 64MB
MPEG-2 hardware VLD
- . TV-OUT(Optional) NTSC(M, J) or PAL(B,D,G,H,I,M,N,C)
- . Memory 1 x DDR II SDRAM 533/400 (max. 1GB)
- . IDE Ultra DMA-133/100/66 transfer protocols
1x 40 pin 2.54mm, 1x44 pin 2.0mm
Support Compact Flash card type II for ATA interface
- . Audio AC-Link for Audio CODEC, AC'97 2.1
- . LAN 1 x Realtek 10/100 Mbps (optional Realtek/Intel Gigabit)
- . IO function 3 x RS232, 1xRS232/422/485
Supports Hardware Monitor Controller
Supports IrDA 1.0/ASKIR protocol
Supports PS2 keyboard and mouse
- . USB 7 x USB 2.0
- . SATA One channel connector
SATA drive transfer rate is capable up to 150MB/s
- . Expand interface 1x Mini PCI for only PCI rev: 2.2 interface
- . Power On board DC +12V convert to +3.3V/+12V/+5V for system
- . Dimension 200 x 150 mm

Testing environment

Model name : CV700C1R10C
CPU : VIA V4 C7 1000MHz
Chipset : VIA CN700 & VIA VT8237R PLUS
OS : WIN XP
Testing Program : 3D Mark 2001 SE

Fanless solution with CF card

Chassis	Temperature		
	Light	Neo	Twister
0°C	Pass	Pass	Pass
25°C	Pass	Pass	Pass
40°C	Pass	Pass	Pass
60°C	FAN	Pass	Pass

Fanless solution with 2.5" HDD

Chassis	Temperature		
	Light	Neo	Twister
0°C	Pass	Pass	Pass
25°C	Pass	Pass	Pass
40°C	FAN	Pass	Pass

- . Operation Temperature : 0 ~ 60°C
- . Operation Humidity : 5~95% @ 60°C, non-condensing

Ordering Information

- . CV700C-1R50E 1 LAN, 500MHz, VIA Eden(V4) processor
- . CV700C-1R10C 1 LAN, 1GHz, VIA C7 processor